



MOBILE CHIPPERS

806.2 PT Trailer

Product data sheet

This chipper unit combines the proven efficacy in 806.2 chipper, with the technology & power of modern agricultural equipment.

This trailer mounted chipper unit allows easy and quick movement between chipping sites.

The 806.2 PT Trailer is powered by the agricultural tractor's PTO via drive shaft, split gearbox, and belt transmission. The chipper unit is self-sufficient with hydraulics, only the crane needs to be provided with hydraulic from tractor. Both chipper and crane uses the same CAN-bus control system, allowing the driver to easily control the entire unit from the same pair of joysticks. The trailer is manufactured by high quality steel, equipped with leaf suspension and steel fenders.

Customer benefits

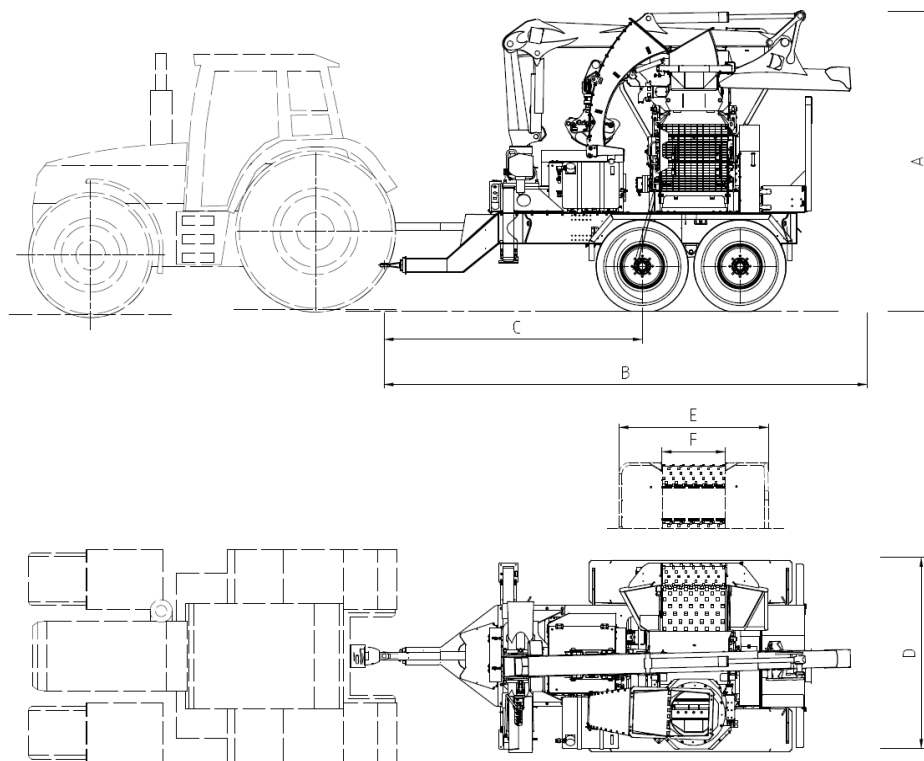
- High mobility
This trailer mounted unit, allows fast and easy movement between the chipping sites.
- Good chip quality
The proven 806.2 chipper is the "heart" of this unit. With many opportunities to combine different sets of drum configuration, as well as sleever breakers and an advanced infeed control system, gives a very good chip quality.
- Self sufficient system
The chipper unit, has its own hydraulic system, and needs no additional hydraulic from tractor. The tractor only needs to provide the unit with hydraulic for the crane, and electricity for the control system.
- Flexible system
The use of a trailer as the "carrier", and PTO for power source, permits the use of different types of tractors.

806.2 PT Trailer

Product data sheet

Transport height (A) [mm]	4000
Length (B) [mm]	6500
Coupling- 1'st axle (C) [mm]	3475
Transport width (D) [mm]	2500
Width infeed table (E) [mm]	2100
Width infeed (F) [mm]	850
Weigth complete unit approx [ton]	11

Diameter chipper drum[mm]	800
Infeed opening W xH [mm]	850 x 720
Adjustable chip length [mm]	10- 45
Max diameter, softwood[mm]	500
Max diameter, hardwood [mm]	400
Capacity [m3/h]	50-120
Suitable power tractor (hp)	280-400
Suitable crane, lifting moment & reach	65kNm-10m



Alternative equipment

To equip your machine to optimum performance, BRUKS offers different choices: 5-roll infeed table, Different sets of chipper drums. Chip screens in different sizes. Chip tubes in different sizes. Dual chip deflector.

Optional equipment

The optional / additional equipment you can choose: Knife box. Tool box. LED lighting. Steel fenders. Wood cracker. Dialing modem for troubleshooting support.