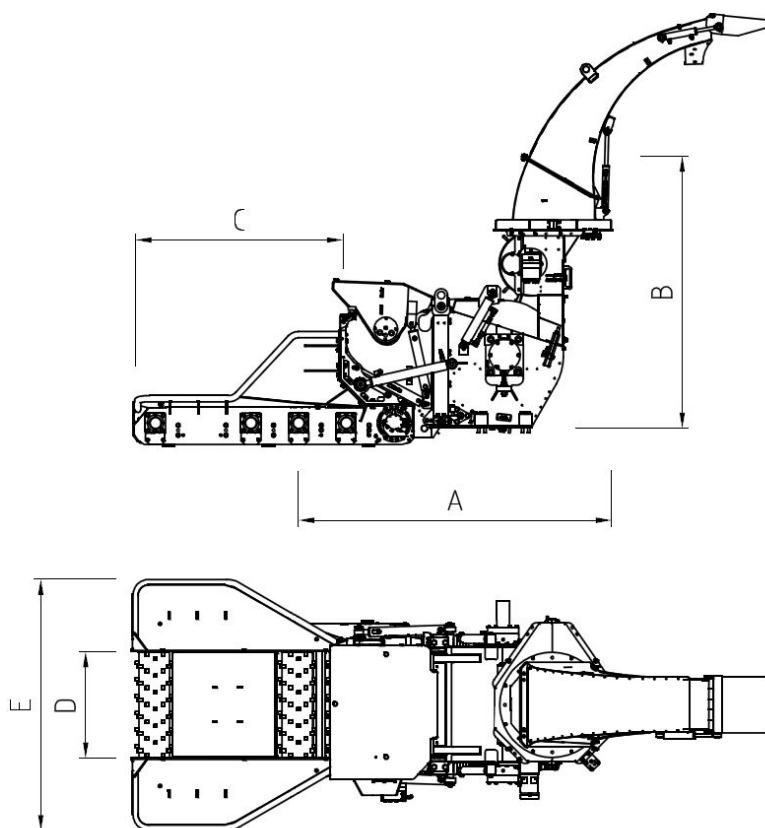


806.2 Chipper

Product data sheet

Transport width (A) [mm]	2500
Transport height (B) [mm]	2180
Length infeed table (C) [mm]	1650
Width infeed (D) [mm]	850
Width infeed table (E) [mm]	2100
Weight complete unit approx [ton]	4,6t

Diameter chipper drum[mm]	800
Infeed opening W xH [mm]	850 x 720
Adjustable chip length [mm]	10- 45
Max diameter, softwood[mm]	500
Max diameter, hardwood [mm]	400
Capacity (m3/h)	50-200
Recommended power (hp)	280-650



Alternative equipment

To equip your machine to optimum performance, BRUKS offers different choices: 5-roll infeed table, Different sets of chipper drums. Chip screens in different sizes. Chip tubes in different sizes. Dual chip deflector.

Optional equipment

The optional / additional equipment you can choose:
Knife box. Service platform.