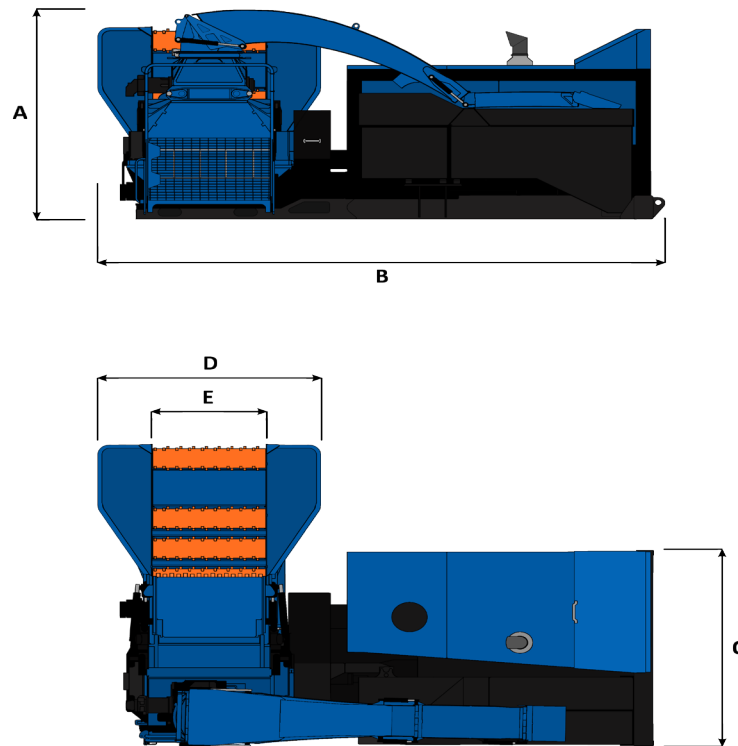


1006 ST

Product data sheet

Transport height (A) [mm]	2700
Length (B) [mm]	6000
Transport width (C) [mm]	2500
Width infeed table (D) [mm]	2350
Width infeed (E) [mm]	1200
Weigth complete unit approx [ton]	17

Diameter chipper drum[mm]	1000
Infeed opening W xH [mm]	1200 x 750
Adjustable chip length [mm]	10- 45
Max diameter, softwood[mm]	600
Max diameter, hardwood [mm]	500
Capacity [m3/h]	200-350
Power Volvo Penta industry engine [hp]	765



Alternative equipment

To equip your machine to optimum performance, BRUKS offers different choices: 5-roll infeed table, Different knife sets. Various sets of sleever breakers. Dual chip deflector.

Optional equipment

The optional / additional equipment you can choose: Fire extinguishing system. Dual pedals. Monitor for reversing camera. Filling equipment for fuel and hydraulic oil. Engine preheater, Webasto. Knife box. LED work lights. Remote radio control. Dialing modem for troubleshooting support. Mounting set- fixed installation, Mounting set- turnable installation, Hydraulic system for crane.